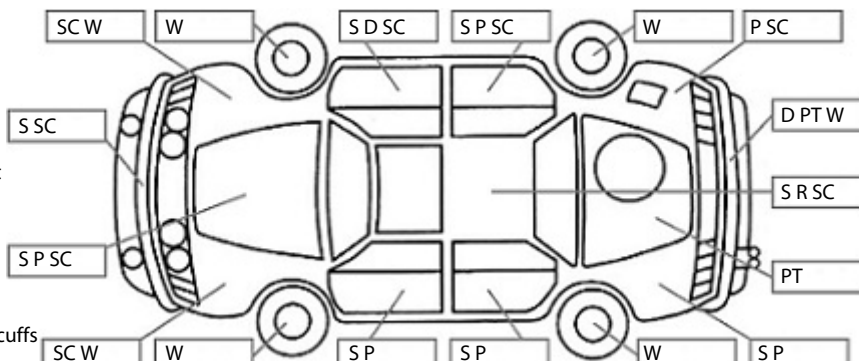


Make: Subaru	Model: Legacy	Body Style: Wagon
Year: 2007	Registration: KAB296	Reg Expiry: 02 Jan 2025
WoF Expiry: 23 Nov 2024	Odometer: 187,877 Kms	Good No: 26434794
VIN: 7AT0GF0BX16047321	Next Service: overdue	Service History: No

Note: This report is not a warranty

This report is a guide only. Consideration is made for age and mileage. Parts have not been dismantled or diagnostic testing undertaken. The vehicle has been driven up to 50km/h from cold. The Vendor recommends a full mechanical inspection prior to purchase and this can be arranged for an additional charge.

Key:
S = scratch
D = dent
R = rust
PT = paint defect
C = crack
P = pin dent
* = decals
SC = stone chips
W = significant scuffs



Body Inspection Comments Note: some defects & blemishes may not be displayed in the diagram

Conditions During Body Inspection: Dry

Under Carriage & Under Bonnet Inspection Comments
Engine oil leak

Interior Comments

Seats	Average
Carpets	Average
Panels	Average
Dashboard	Poor

General Comments
Rattling noise from engine
Noisy steering pump
Suspected worn rear suspension

Road Conditions During Test Drive: Dry

Engine Timing Mechanism: Cambelt
Evidence of Cam Belt Replacement: No Kms:

	Pass	Fail	N/A
Engine			
Oil level	✓		
Smoke & fumes	✓		
Performance	✓		
Noise		✓	
Cooling System			
Coolant condition	✓		
Performance	✓		
Radiator / Hoses (visual)	✓		
Transmission			
Operation	✓		
Noise	✓		
Clutch			✓
CV joints	✓		
Wheel bearings	✓		
Brakes			
Performance	✓		
Hand Brake	✓		
Tyres (lowest observed tread depth of tyres)			
Left front	3	mm	
Right front	3	mm	
Left rear	4	mm	
Right rear	3	mm	
Spare		Yes	
Suspension			
Suspension performance		✓	
Steering performance	✓		
Shock absorbers	✓		
Air Conditioning / Heater			
Operation	✓		
Electrical / Accessories			
Head lights	✓		
Tail lights	✓		
Indicators	✓		
Dashboard warning lights	✓		
Wipers (front & rear)	✓		
Window winder FL	✓		
Window winder FR	✓		
Window winder RL	✓		
Window winder RR	✓		
Rear view mirrors	✓		
Radio (basic test only)	✓		
CD (basic test only)	✓		
Number of keys	1		
Central locking	✓		
Remote locking	✓		
Sat. Nav. (basic test only)			✓
Reversing camera			✓

Inspected by: Sione Mae Date: 20 Nov 2024

I have read and understood this condition guide. Name: Signature: