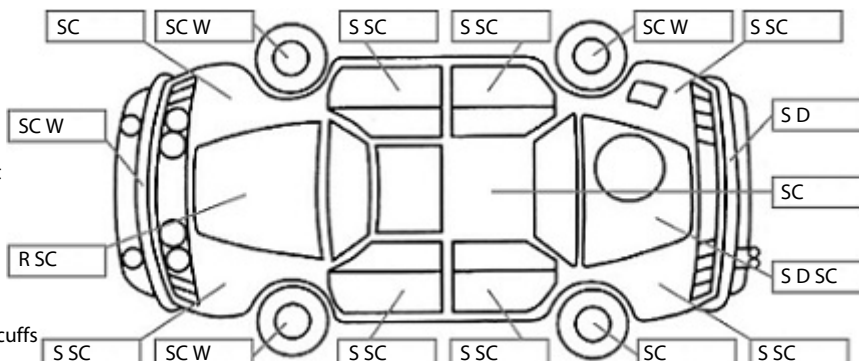


Make: Toyota	Model: Hilux	Body Style: Utility
Year: 2014	Registration: HRZ897	Reg Expiry: 28 Oct 2025
WoF Expiry: 06 Sep 2025	Odometer: 213,356 Kms	Good No: 26413694
VIN: MR0FZ22G001087612	Next Service: 221500	Service History: No

Note: This report is not a warranty

This report is a guide only. Consideration is made for age and mileage. Parts have not been dismantled or diagnostic testing undertaken. The vehicle has been driven up to 50km/h from cold. The Vendor recommends a full mechanical inspection prior to purchase and this can be arranged for an additional charge.

Key:
S = scratch
D = dent
R = rust
PT = paint defect
C = crack
P = pin dent
* = decals
SC = stone chips
W = significant scuffs



Body Inspection Comments
Cracked back right tail light

Note: some defects & blemishes may not be displayed in the diagram

Conditions During Body Inspection:	Wet
------------------------------------	-----

Under Carriage & Under Bonnet Inspection Comments
No underbody inspection 4x4 untested

Interior Comments	
Seats	Good
Carpets	Good
Panels	crack
Dashboard	wear, scratches, screw holes

General Comments

Road Conditions During Test Drive:	Wet
------------------------------------	-----

Engine Timing Mechanism:	Cambelt	
Evidence of Cam Belt Replacement:	Yes	Kms: 151,476

	Pass	Fail	N/A
Engine			
Oil level	✓		
Smoke & fumes	✓		
Performance	✓		
Noise	✓		
Cooling System			
Coolant condition	✓		
Performance	✓		
Radiator / Hoses (visual)	✓		
Transmission			
Operation	✓		
Noise	✓		
Clutch	✓		
CV joints	✓		
Wheel bearings	✓		
Brakes			
Performance	✓		
Hand Brake	✓		
Tyres (lowest observed tread depth of tyres)			
Left front	9.2	mm	
Right front	9.6	mm	
Left rear	8.6	mm	
Right rear	9	mm	
Spare	Yes		
Suspension			
Suspension performance	✓		
Steering performance	✓		
Shock absorbers	✓		
Air Conditioning / Heater			
Operation	✓		
Electrical / Accessories			
Head lights	✓		
Tail lights	✓		
Indicators	✓		
Dashboard warning lights	✓		
Wipers (front & rear)	✓		
Window winder FL	✓		
Window winder FR	✓		
Window winder RL	✓		
Window winder RR	✓		
Rear view mirrors	✓		
Radio (basic test only)	✓		
CD (basic test only)	✓		
Number of keys	3		
Central locking	✓		
Remote locking	✓		
Sat. Nav. (basic test only)			✓
Reversing camera			✓

Inspected by: Melissa Wilson	Date: 08 Nov 2024
------------------------------	-------------------

I have read and understood this condition guide. Name: Signature: