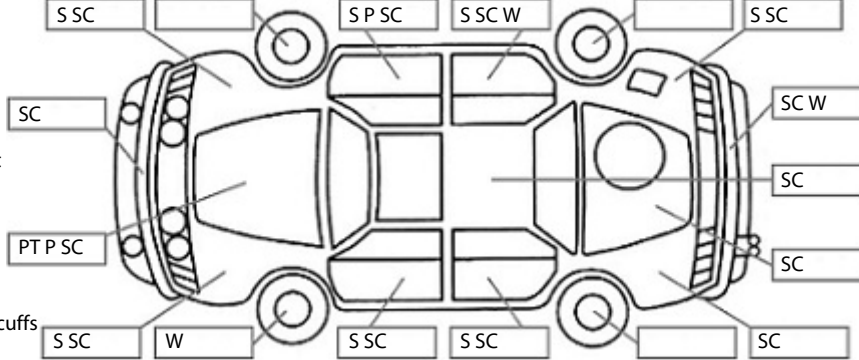


Make: Nissan	Model: Leaf	Body Style: Hatchback
Year: 2016	Registration: KYM972	Reg Expiry: 10 Jun 2025
WoF Expiry: 04 Sep 2025	Odometer: 55,680 Kms	Good No: 26276384
VIN: 7AT0DH8KX17207314	Next Service:	Service History: No

Note: This report is not a warranty

This report is a guide only. Consideration is made for age and mileage. Parts have not been dismantled or diagnostic testing undertaken. The vehicle has been driven up to 50km/h from cold. The Vendor recommends a full mechanical inspection prior to purchase and this can be arranged for an additional charge.

Key:
S = scratch
D = dent
R = rust
PT = paint defect
C = crack
P = pin dent
* = decals
SC = stone chips
W = significant scuffs



Body Inspection Comments
Right wing mirror housing cracked

Note: some defects & blemishes may not be displayed in the diagram

Conditions During Body Inspection:	Dry
------------------------------------	-----

Under Carriage & Under Bonnet Inspection Comments
--

Interior Comments	
Seats	Good
Carpets	Good
Panels	Good
Dashboard	Good

General Comments

Road Conditions During Test Drive:	Dry
------------------------------------	-----

Engine Timing Mechanism:	Unknown	
Evidence of Cam Belt Replacement:	Not Applicable	Kms:

	Pass	Fail	N/A
Engine			
Oil level			✓
Smoke & fumes			✓
Performance			✓
Noise			✓
Cooling System			
Coolant condition	✓		
Performance	✓		
Radiator / Hoses (visual)	✓		
Transmission			
Operation	✓		
Noise	✓		
Clutch	✓		
CV joints	✓		
Wheel bearings	✓		
Brakes			
Performance	✓		
Hand Brake	✓		
Tyres (lowest observed tread depth of tyres)			
Left front	5.5	mm	
Right front	5.5	mm	
Left rear	6.0	mm	
Right rear	6.5	mm	
Spare	N/A		
Suspension			
Suspension performance	✓		
Steering performance	✓		
Shock absorbers	✓		
Air Conditioning / Heater			
Operation	✓		
Electrical / Accessories			
Head lights	✓		
Tail lights	✓		
Indicators	✓		
Dashboard warning lights	✓		
Wipers (front & rear)	✓		
Window winder FL	✓		
Window winder FR	✓		
Window winder RL	✓		
Window winder RR	✓		
Rear view mirrors	✓		
Radio (basic test only)	✓		
CD (basic test only)	✓		
Number of keys	2		
Central locking	✓		
Remote locking	✓		
Sat. Nav. (basic test only)			✓
Reversing camera	✓		

Inspected by: Dean Sinclair	Date: 02 Sep 2024
-----------------------------	-------------------

I have read and understood this condition guide. Name: Signature: