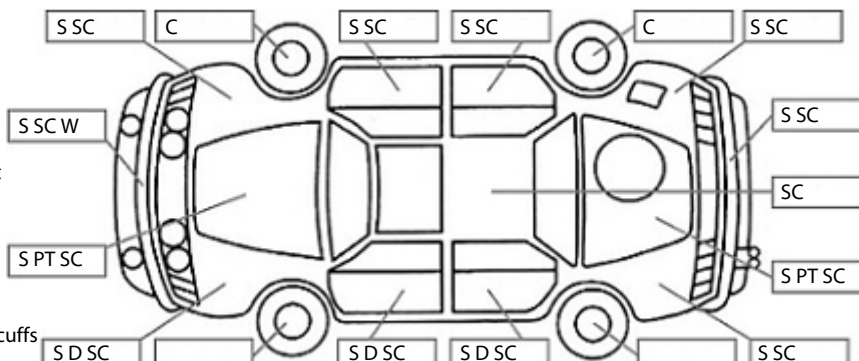


Make: Hyundai	Model: Iload	Body Style: Van
Year: 2017	Registration: KLC726	Reg Expiry: 27 Mar 2025
WoF Expiry: 11 Jun 2025	Odometer: 155,490 Kms	Good No: 26237211
VIN: KMFWBX7KMHU8654	Next Service: 165473	Service History: No

Note: This report is not a warranty

This report is a guide only. Consideration is made for age and mileage. Parts have not been dismantled or diagnostic testing undertaken. The vehicle has been driven up to 50km/h from cold. The Vendor recommends a full mechanical inspection prior to purchase and this can be arranged for an additional charge.

Key:
 S = scratch
 D = dent
 R = rust
 PT = paint defect
 C = crack
 P = pin dent
 * = decals
 SC = stone chips
 W = significant scuffs



Body Inspection Comments
 Minor dents on inner wheel well/

Note: some defects & blemishes may not be displayed in the diagram

Conditions During Body Inspection: Dry

Under Carriage & Under Bonnet Inspection Comments
 2wd/minor oil leak

Interior Comments

Seats	Poor
Carpets	Poor
Panels	Poor
Dashboard	Poor

General Comments

Road Conditions During Test Drive: Dry

Engine Timing Mechanism: Timing Chain
 Evidence of Cam Belt Replacement: Not Applicable Kms:

	Pass	Fail	N/A
Engine			
Oil level	✓		
Smoke & fumes	✓		
Performance	✓		
Noise	✓		
Cooling System			
Coolant condition	✓		
Performance	✓		
Radiator / Hoses (visual)	✓		
Transmission			
Operation	✓		
Noise	✓		
Clutch			✓
CV joints	✓		
Wheel bearings	✓		
Brakes			
Performance	✓		
Hand Brake	✓		
Tyres (lowest observed tread depth of tyres)			
Left front	7.5	mm	
Right front	7.5	mm	
Left rear	7.5	mm	
Right rear	7.5	mm	
Spare	Yes		
Suspension			
Suspension performance	✓		
Steering performance	✓		
Shock absorbers	✓		
Air Conditioning / Heater			
Operation	✓		
Electrical / Accessories			
Head lights	✓		
Tail lights	✓		
Indicators	✓		
Dashboard warning lights	✓		
Wipers (front & rear)	✓		
Window winder FL	✓		
Window winder FR	✓		
Window winder RL	✓		
Window winder RR	✓		
Rear view mirrors	✓		
Radio (basic test only)	✓		
CD (basic test only)	✓		
Number of keys	2		
Central locking	✓		
Remote locking	✓		
Sat. Nav. (basic test only)			✓
Reversing camera	✓		

Inspected by: Uriah Pepene Date: 21 Aug 2024

I have read and understood this condition guide. Name: Signature: