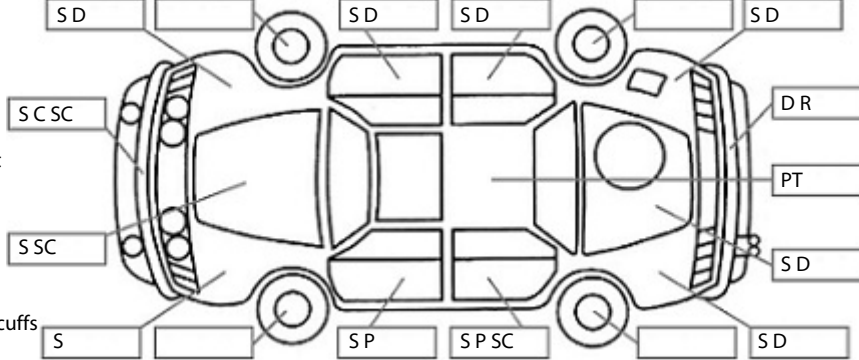


| | | |
|--------------------------------|------------------------------|--------------------------------|
| Make: Ford | Model: Courier | Body Style: Utility |
| Year: 2004 | Registration: BUR489 | Reg Expiry: 19 May 2025 |
| WoF Expiry: 23 Jun 2024 | Odometer: 310,846 Kms | Good No: 25811367 |
| VIN: MNABS2D703W36218 | Next Service: 312500 | Service History: No |

Note: This report is not a warranty

This report is a guide only. Consideration is made for age and mileage. Parts have not been dismantled or diagnostic testing undertaken. The vehicle has been driven up to 50km/h from cold. The Vendor recommends a full mechanical inspection prior to purchase and this can be arranged for an additional charge.

Key:
S = scratch
D = dent
R = rust
PT = paint defect
C = crack
P = pin dent
* = decals
SC = stone chips
W = significant scuffs



Body Inspection Comments Note: some defects & blemishes may not be displayed in the diagram
Front bumper modified ,head lights modified ,roof painted different colour , LR tail light cracked,rust hole rear bumper ,there are spare wheels x4 in rear of truck,LF door mirror glass cracked ,

Conditions During Body Inspection: Dry

Under Carriage & Under Bonnet Inspection Comments
Transmission and oil leak,leak from exhaust ,

Interior Comments

| | |
|-----------|--------------------------|
| Seats | wear,worn,minor stains , |
| Carpets | wear,worn,minor stains , |
| Panels | Average |
| Dashboard | Average |

General Comments
Drives well ,leak from exhaust ,

Road Conditions During Test Drive: Dry

Engine Timing Mechanism: Timing Chain
Evidence of Cam Belt Replacement: Not Applicable Kms:

| | Pass | Fail | N/A |
|---|------|------|-----|
| Engine | | | |
| Oil level | ✓ | | |
| Smoke & fumes | | ✓ | |
| Performance | ✓ | | |
| Noise | ✓ | | |
| Cooling System | | | |
| Coolant condition | ✓ | | |
| Performance | ✓ | | |
| Radiator / Hoses (visual) | ✓ | | |
| Transmission | | | |
| Operation | ✓ | | |
| Noise | ✓ | | |
| Clutch | ✓ | | |
| CV joints | ✓ | | |
| Wheel bearings | ✓ | | |
| Brakes | | | |
| Performance | ✓ | | |
| Hand Brake | ✓ | | |
| Tyres (lowest observed tread depth of tyres) | | | |
| Left front | 5.0 | mm | |
| Right front | 4.5 | mm | |
| Left rear | 5.4 | mm | |
| Right rear | 4.0 | mm | |
| Spare | Yes | | |
| Suspension | | | |
| Suspension performance | ✓ | | |
| Steering performance | ✓ | | |
| Shock absorbers | ✓ | | |
| Air Conditioning / Heater | | | |
| Operation | | ✓ | |
| Electrical / Accessories | | | |
| Head lights | ✓ | | |
| Tail lights | ✓ | | |
| Indicators | ✓ | | |
| Dashboard warning lights | ✓ | | |
| Wipers (front & rear) | ✓ | | |
| Window winder FL | ✓ | | |
| Window winder FR | ✓ | | |
| Window winder RL | | | ✓ |
| Window winder RR | | | ✓ |
| Rear view mirrors | ✓ | | |
| Radio (basic test only) | ✓ | | |
| CD (basic test only) | ✓ | | |
| Number of keys | 1 | | |
| Central locking | ✓ | | |
| Remote locking | ✓ | | |
| Sat. Nav. (basic test only) | | | ✓ |
| Reversing camera | | | ✓ |

Inspected by: Donovan Matara Date: 13 Jun 2024

I have read and understood this condition guide. Name: Signature: