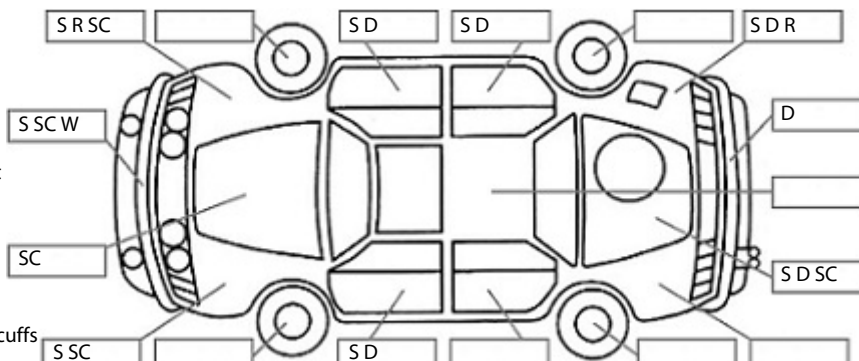


<b>Make:</b> Mazda	<b>Model:</b> Bt-50	<b>Body Style:</b> Utility
<b>Year:</b> 2017	<b>Registration:</b> KRC629	<b>Reg Expiry:</b> 18 Jun 2025
<b>WoF Expiry:</b> 22 Jan 2026	<b>Odometer:</b> 295,027 Kms	<b>Good No:</b> 25001991
<b>VIN:</b> MM0UROYG100691599	<b>Next Service:</b> due	<b>Service History:</b> Yes

**Note: This report is not a warranty**

This report is a guide only. Consideration is made for age and mileage. Parts have not been dismantled or diagnostic testing undertaken. The vehicle has been driven up to 50km/h from cold. The Vendor recommends a full mechanical inspection prior to purchase and this can be arranged for an additional charge.

**Key:**  
S = scratch  
D = dent  
R = rust  
PT = paint defect  
C = crack  
P = pin dent  
\* = decals  
SC = stone chips  
W = significant scuffs



**Body Inspection Comments**  
Stone chips with cracks in central front screen

Note: some defects & blemishes may not be displayed in the diagram

Conditions During Body Inspection: Dry

**Under Carriage & Under Bonnet Inspection Comments**  
Tested battery and failed at time of inspection

**Interior Comments**

Seats	marks
Carpets	Average
Panels	scratches scuffs marks
Dashboard	scratches

**General Comments**  
Driver window very slow. Air conditioning working at time of inspection.

Road Conditions During Test Drive: Dry

Engine Timing Mechanism: Timing Chain  
Evidence of Cam Belt Replacement: Not Applicable Kms:

	Pass	Fail	N/A
<b>Engine</b>			
Oil level	✓		
Smoke & fumes	✓		
Performance	✓		
Noise	✓		
<b>Cooling System</b>			
Coolant condition	✓		
Performance	✓		
Radiator / Hoses (visual)	✓		
<b>Transmission</b>			
Operation	✓		
Noise	✓		
Clutch			✓
CV joints	✓		
Wheel bearings	✓		
<b>Brakes</b>			
Performance	✓		
Hand Brake	✓		
<b>Tyres</b> (lowest observed tread depth of tyres)			
Left front	6.0	mm	
Right front	6.0	mm	
Left rear	5.0	mm	
Right rear	4.0	mm	
Spare	Yes		
<b>Suspension</b>			
Suspension performance	✓		
Steering performance	✓		
Shock absorbers	✓		
<b>Air Conditioning / Heater</b>			
Operation	✓		
<b>Electrical / Accessories</b>			
Head lights	✓		
Tail lights	✓		
Indicators	✓		
Dashboard warning lights	✓		
Wipers (front & rear)	✓		
Window winder FL	✓		
Window winder FR	✓		
Window winder RL	✓		
Window winder RR	✓		
Rear view mirrors	✓		
Radio (basic test only)	✓		
CD (basic test only)	✓		
Number of keys	3		
Central locking	✓		
Remote locking	✓		
Sat. Nav. (basic test only)			✓
Reversing camera	✓		

Inspected by: Gary Adams Date: 20 Dec 2024

I have read and understood this condition guide. Name: ..... Signature: .....