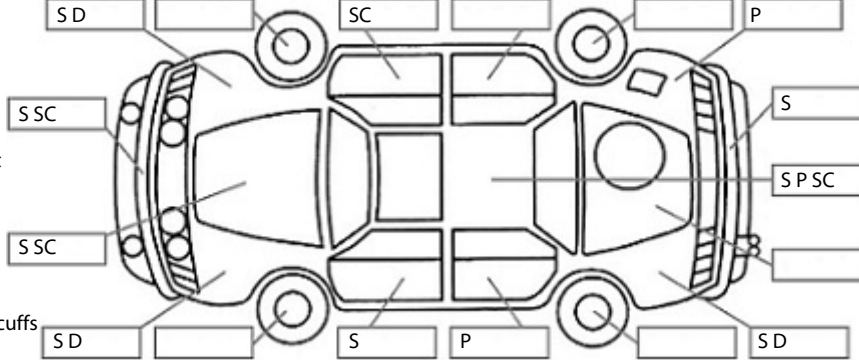


Make: Mazda	Model: CX-5	Body Style: SUV
Year: 2019	Registration: MCF164	Reg Expiry: 07 Jan 2025
WoF Expiry: 28 Dec 2024	Odometer: 100,964 Kms	Good No: 22937261
VIN: JM0KF2W7A00310805	Next Service: 107000	Service History: Yes

Note: This report is not a warranty

This report is a guide only. Consideration is made for age and mileage. Parts have not been dismantled or diagnostic testing undertaken. The vehicle has been driven up to 50km/h from cold. The Vendor recommends a full mechanical inspection prior to purchase and this can be arranged for an additional charge.

Key:
S = scratch
D = dent
R = rust
PT = paint defect
C = crack
P = pin dent
* = decals
SC = stone chips
W = significant scuffs



Body Inspection Comments
Note: some defects & blemishes may not be displayed in the diagram
W/Screen cracks middle x 2, Rear Cargo Blind clip missing R/H side.

Conditions During Body Inspection: Dry

Under Carriage & Under Bonnet Inspection Comments
.

Interior Comments

Seats	Good
Carpets	Good
Panels	Good
Dashboard	Good

General Comments
.

Road Conditions During Test Drive: Dry

Engine Timing Mechanism: Timing Chain
Evidence of Cam Belt Replacement: Not Applicable Kms:

	Pass	Fail	N/A
Engine			
Oil level	✓		
Smoke & fumes	✓		
Performance	✓		
Noise	✓		
Cooling System			
Coolant condition	✓		
Performance	✓		
Radiator / Hoses (visual)	✓		
Transmission			
Operation	✓		
Noise	✓		
Clutch			✓
CV joints	✓		
Wheel bearings	✓		
Brakes			
Performance	✓		
Hand Brake	✓		
Tyres (lowest observed tread depth of tyres)			
Left front	3.0	mm	
Right front	4.0	mm	
Left rear	3.0	mm	
Right rear	4.0	mm	
Spare	Yes		
Suspension			
Suspension performance	✓		
Steering performance	✓		
Shock absorbers	✓		
Air Conditioning / Heater			
Operation	✓		
Electrical / Accessories			
Head lights	✓		
Tail lights	✓		
Indicators	✓		
Dashboard warning lights	✓		
Wipers (front & rear)	✓		
Window winder FL	✓		
Window winder FR	✓		
Window winder RL	✓		
Window winder RR	✓		
Rear view mirrors	✓		
Radio (basic test only)	✓		
CD (basic test only)			✓
Number of keys	1		
Central locking	✓		
Remote locking	✓		
Sat. Nav. (basic test only)	✓		
Reversing camera	✓		

Inspected by: Chris Buckley Date: 31 Oct 2024

I have read and understood this condition guide. Name: Signature: